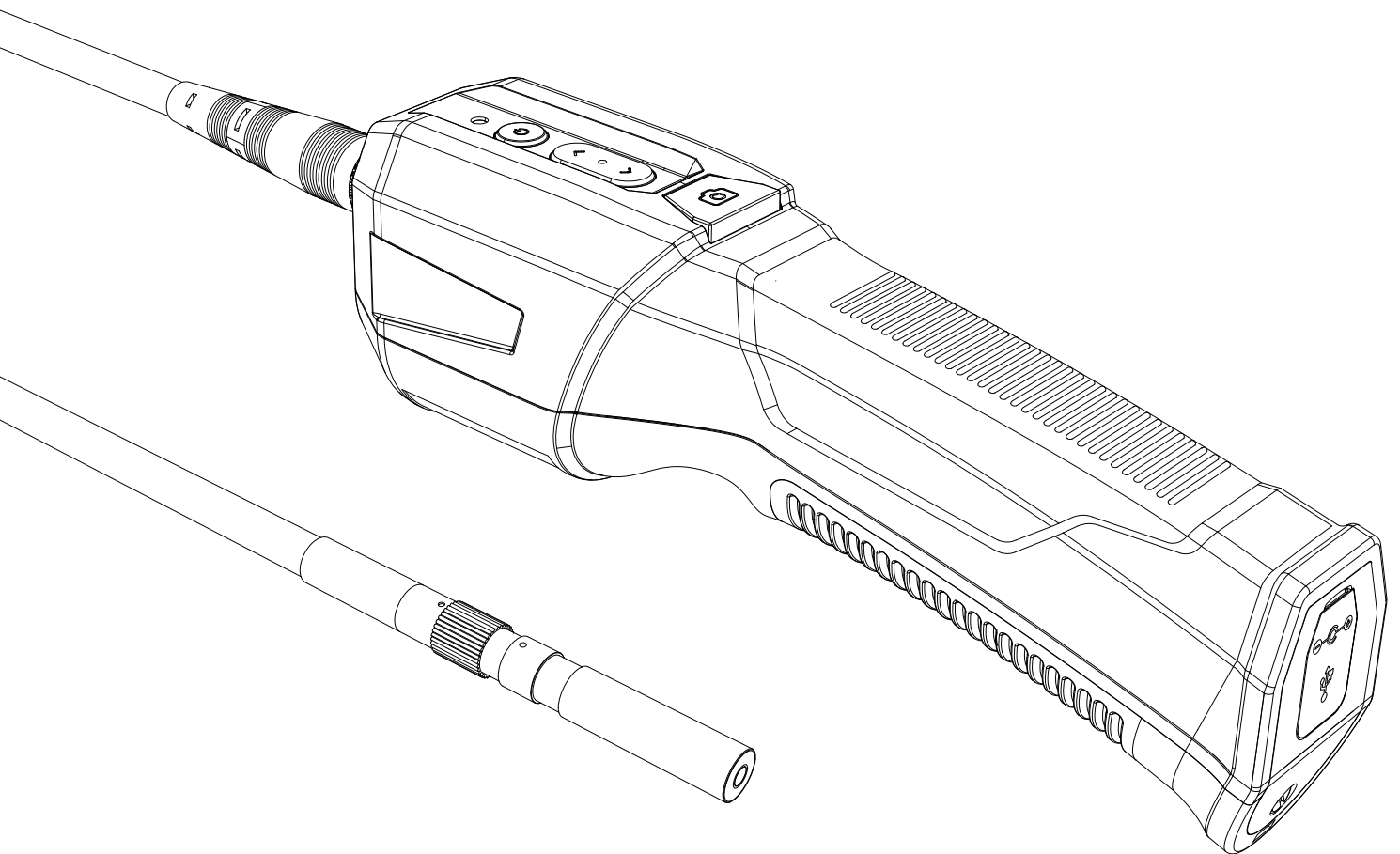


Borescope

GBS-101 User Manual



GIT

Notice on patent, trademark, copyright, copyright and intellectual property rights in user manual

Patents, trademarks, copyrights, copyrights, and intellectual property rights of this user manual are owned by GIT.
No part or all of this manual may be reproduced or used in any form without written permission of GIT.
Purchase of this user manual does not imply a transfer of patent, trademark, copyright, copyright, or intellectual property rights.
GBS-101 (Wireless Car Borescope) is a registered trademark of GIT.

© All rights reserved, GIT Co., Ltd. ***GIT***

Limitation of Liability

All contents and images used in this user's manual may be modified, attached or deleted without notice due to improvement or improvement of product function and specification.

For products not manufactured by GIT Co., Ltd., such as tablet PCs, comply with the manufacturer's A / S standards.

In addition to the programs recommended by GIT Co., Ltd., customers are not entitled to free warranty for problems caused by installing or modifying other programs or changing or deleting diagnostic programs.

This product is a device to check the internal condition of the car through the car Borescope. The diagnosis and repair method should be finally decided by the user. The manufacturer and the seller are not responsible for the result of the defect diagnosis and repair method.

Contents

A	Warning and cautions for safety before use	4
B	Basic components	5
C	Ready to use the product	
	C1. Name of each part	6
	C2. Product assembly	7
	C3. Product charge	8
D	Device connection	
	D1. USB connection	9
	D2. Wi-Fi connection	11
E	Screen layout	
	E1. Main screen	12
	E2. Taken image	13
	E3. Video recording	13
F	Function	
	F1. Note Mode	14
	F2. Image editing	15
	F3. Screen rotation	15
	F4. LED brightness adjustment	15
G	Setting	
	G1. Resolution setting	16
	G2. Sleep mode setting	16
H	Internal Battery Replacement	17
I	Product specification	18
J	Certification	
	J1. Certification	18
	J2. Product warranty	19

A. Warning and cautions for safety before use



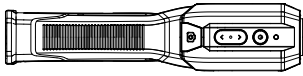
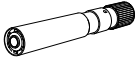
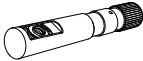
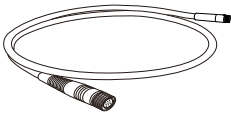
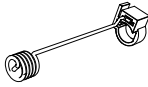

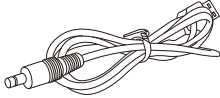
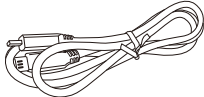
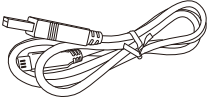
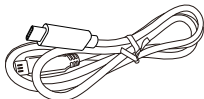
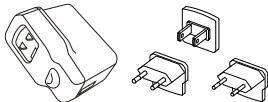


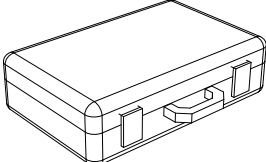
[WARNING] The user is responsible for any damages incurred due to insufficient knowledge of the contents of this Borescope user manual or the operation used differently from the contents of this manual.

- When connecting with a DC charger, do not use any charger other than the specified DC charger. (Manufacturer: Shenzhen Simsukian Electronics Technology Co., Ltd. / Model name: SK21G-0500200Z)
- Make sure all cables are connected properly during operation. Do not disconnect the data cable or power cable without completing the operation.
- Please note that if the product is arbitrarily disassembled, modified or altered, normal service cannot be provided.
- Use only genuine cables manufactured by GIT for cables, chargers, and all other parts and accessories used together.
- Use the specified device and program.
- Handle the product within the operating temperature and humidity.
- Using this product in an excessively blocked space may cause radio interference. Wireless communication may be interrupted temporarily or continuously, depending on the wireless communication environment.
- This product is a short-range wireless device that can be limited in long-range connection.

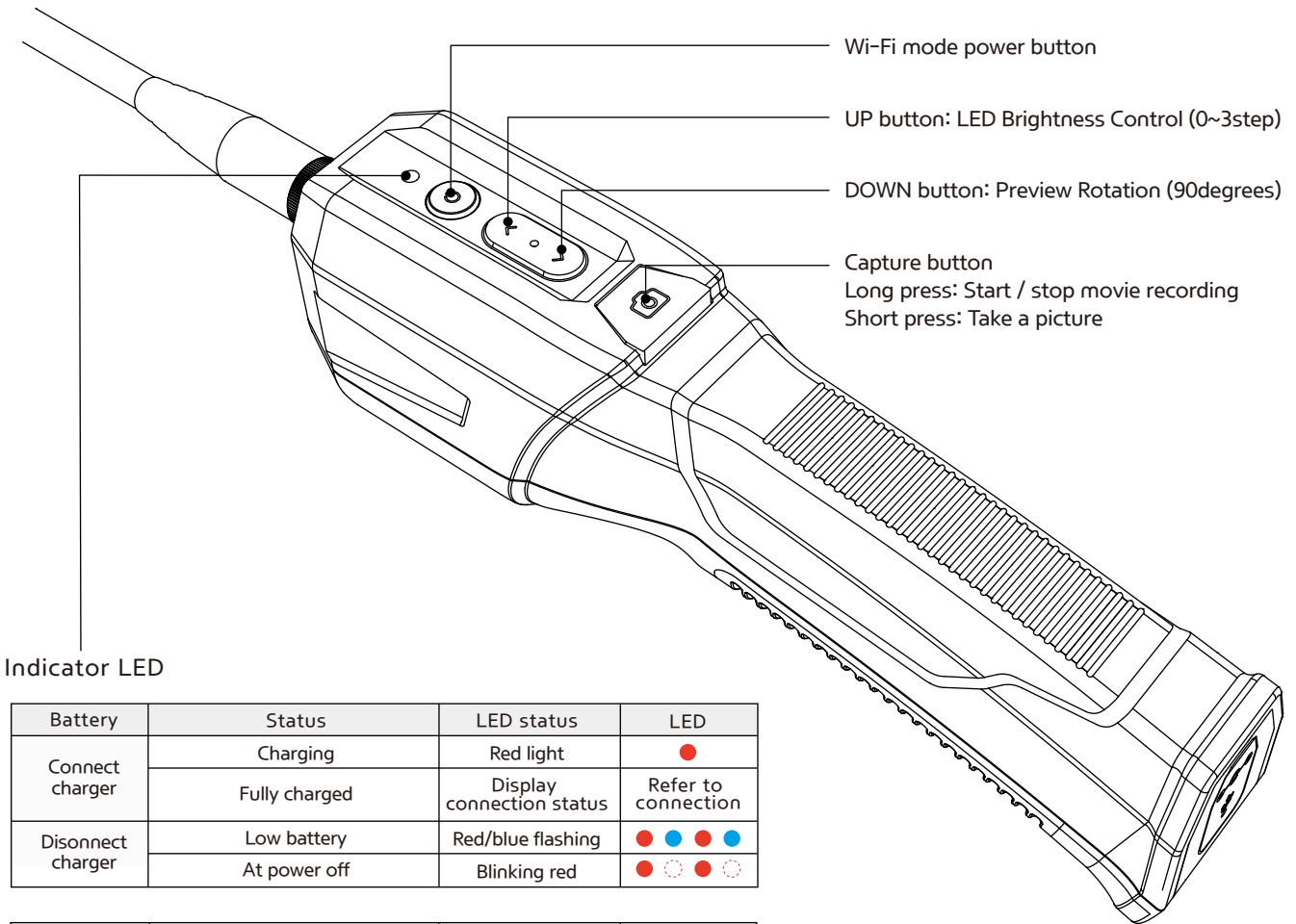
[CAUTION] Inadequate handling can result in personal injury or property damage, with more serious consequences under certain conditions. Follow all safety instructions.

- Do not store in locations where flammable materials and strong static electricity can be generated.
- Chemicals or acids can corrode products and accessories.
- Do not impact the product.
- Cool the engine sufficiently (Less than 50 degrees) and use it at low temperatures.
- Do not touch the camera while the LED is on. There is a risk of burns.
- Be aware of the damage caused by high temperatures and moving parts when using the engine compartment.
- Do not let the main unit containing the rechargeable battery and cable get wet.
- Do not disassemble the rechargeable battery.
- Be careful not to touch your eyes or skin with a leak caused by improper use of rechargeable batteries.
- Only use the specified rechargeable batteries with the products.
- Keep the camera and data cable out of contact with water.
- Be careful to store all components when not in use.
- Do not pull on the cable when moving or using the product.
- GIT is not responsible for any damages caused by devices that are not recommended to use with.
- Do not expose the product to an X-ray or microwave; it may cause serious damage to the product.
- Do not keep it in the following location:
 - In places where the temperature and humidity are too high or too low (check the product specifications).
 - Places exposed to direct sunlight for a long time
 - Inside the vehicle in summer season
 - Place with moisture or excessive water.

B. Basic components

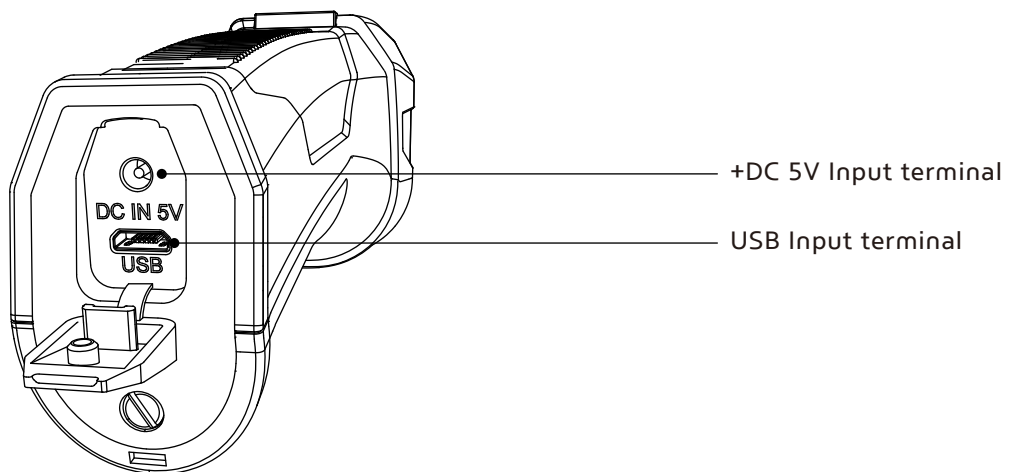
Part Name	Part Figure	Description
Main body		The main body connects the camera and the flexible tube Perform the Borescope function.
0° Camera		0 degree camera used for frontal capturing.
90° Camera		90 degree camera used for side capturing.
Flexible tube		The probe connects to the body and the camera.
0° Magnetic holder		It can be mounted in the camera lens groove to lift a small bolt or screw.
90° Magnetic holder		It can be mounted in the camera lens groove to lift a small bolt or screw.
DC cable		This cable is used to supply power to the Borescope using a DC power adapter.
USB Micro 5 pin cable		The cable used to connect wireless Borescopes and tablets by wire. Cable length: 150cm Optionally, one of three cables is provided.
USB Type-A cable		
USB Type-C cable		
Charger & plug		Used to charge by connecting the DC cable.
Manual		This manual contains information on how to use the product safely and normally, and related specifications. (Specifications may change depending on the situation.)
Cleaning fabric		Cleaning fabric for wiping camera lenses.
Carrying case		A bag for carrying and storing the wireless Borescope.

C1. Name of each part



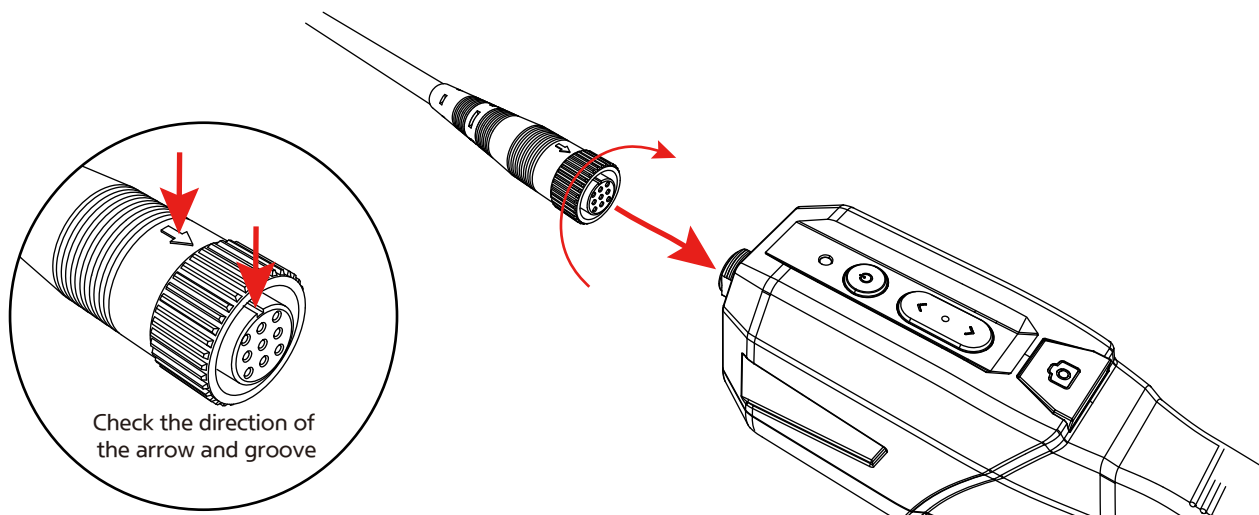
Battery	Status	LED status	LED
Connect charger	Charging	Red light	●
	Fully charged	Display connection status	Refer to connection
Disconnect charger	Low battery	Red/blue flashing	● ● ● ●
	At power off	Blinking red	● ● ● ●

Connection	Status	LED status	LED
Wi-Fi	At boot	Blinking blue	● ● ● ●
	When booting up / Waiting for Wi-Fi connection	Blue/green flashing	● ● ● ●
	Connecting to Wi-Fi	Blinking green	● ● ● ●
	Upon Wi-Fi connection	Green light	●
USB	When the program is connected	Blue light	●

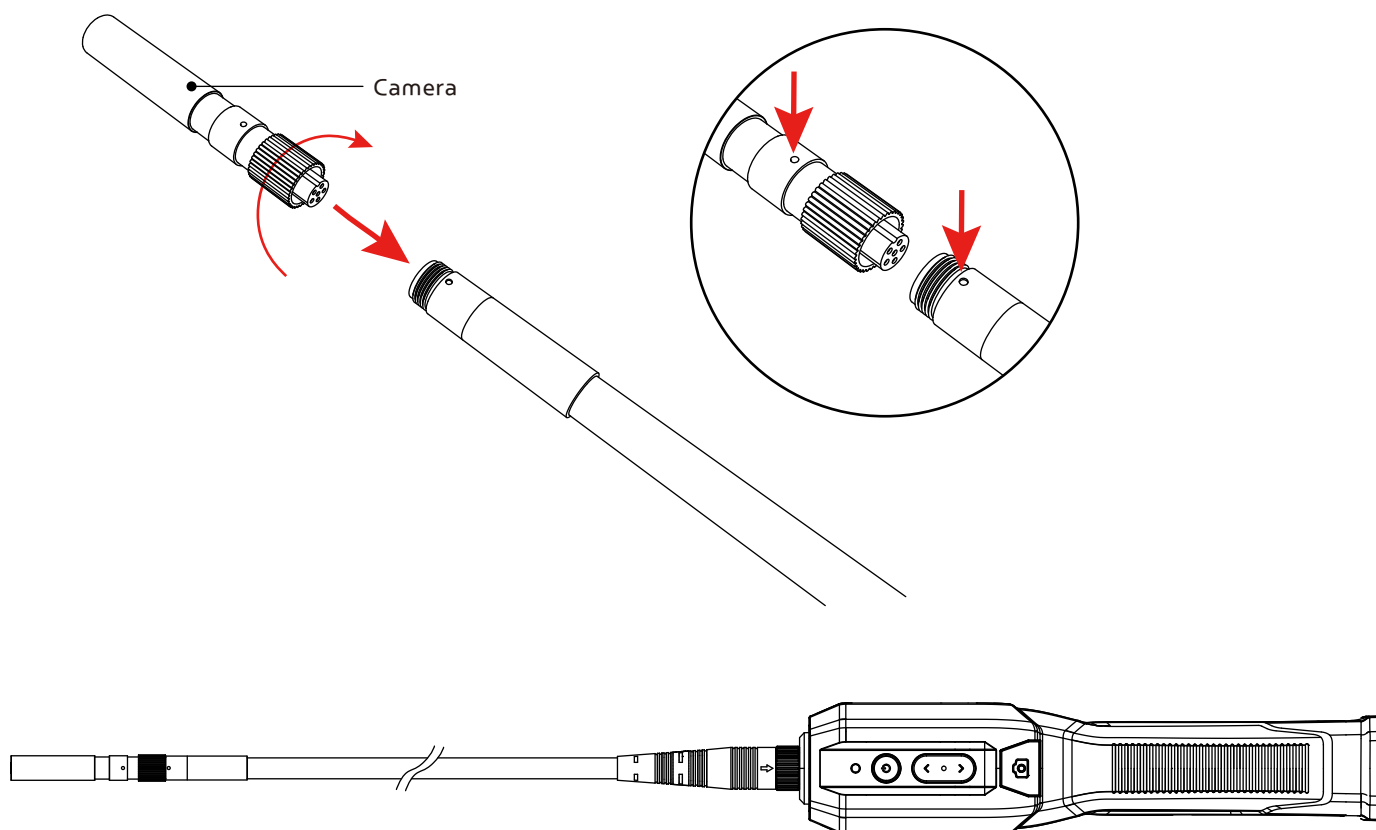


C2. Product assembly

- 1 Insert the flexible tube into the body and screw it to fix it.
Make sure the groove or arrow is pointing up when inserting the tube.



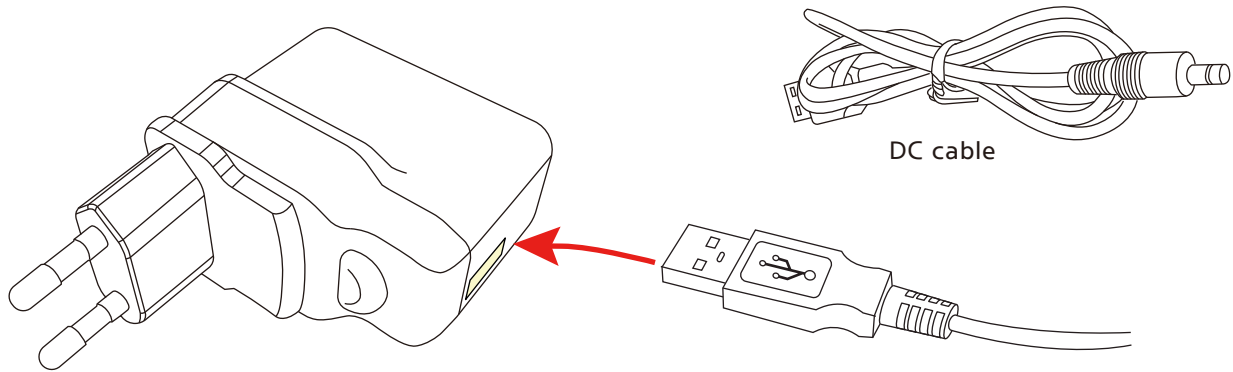
- 2 Insert the camera on the other side of the flexible tube and turn it to fix it.
Make sure the red circle is aligned when inserting the camera.



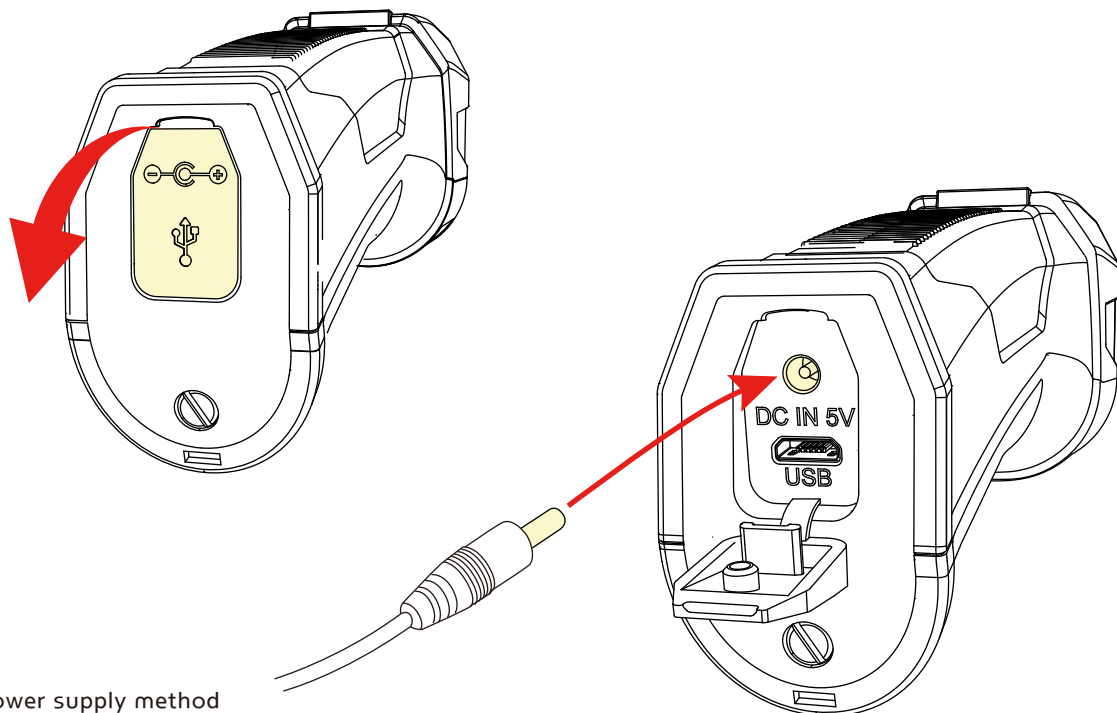
C3. Product charge

This product requires charging because it consumes its own battery when wirelessly used. USB connection is available without charging.

- 1 Connect the DC cable to the 5V 2A charger.



- 2 Remove the waterproof cover on the back of the main unit and connect the DC cable to the DC input terminal. (Charging time: about 3 hours)



※ Power supply method

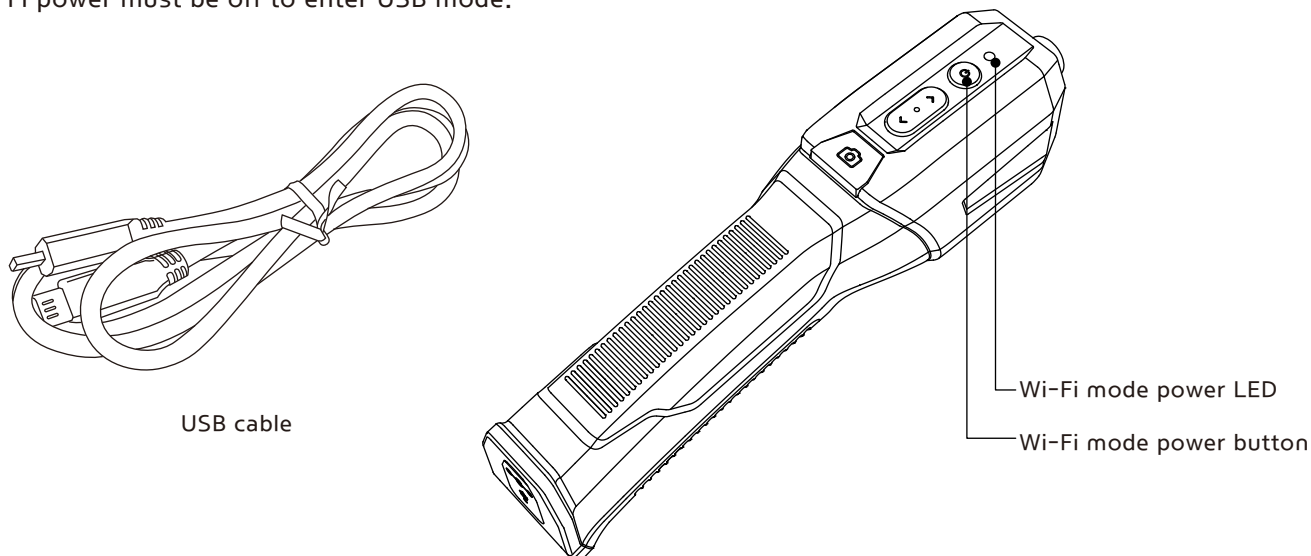
Wi-Fi mode: Battery and charger

USB mode: Tablet

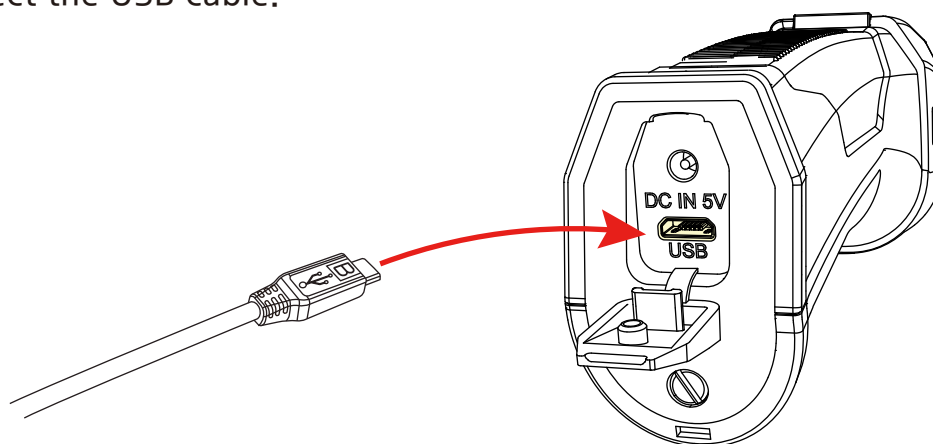
D1. USB connection

- ① If the Wi-Fi power is on, press the power button to turn it off.

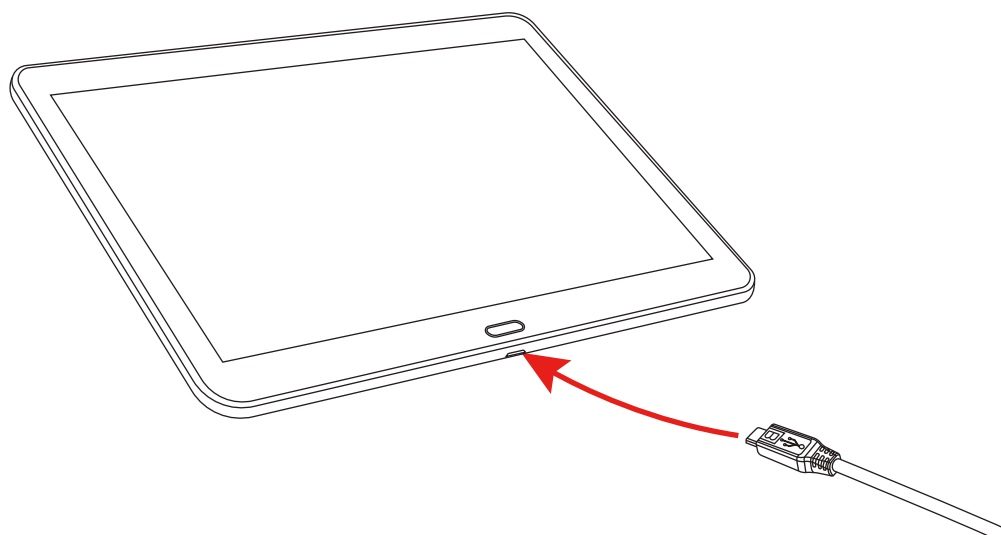
Wi-Fi power must be off to enter USB mode.



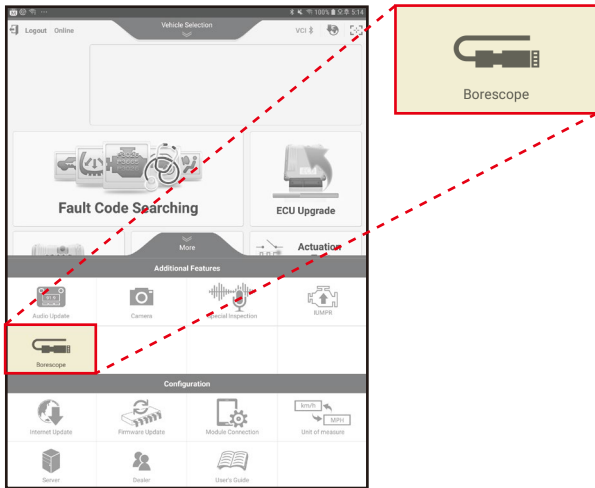
- ② Connect the USB cable.



- ③ Connect the other end of the cable to your tablet.



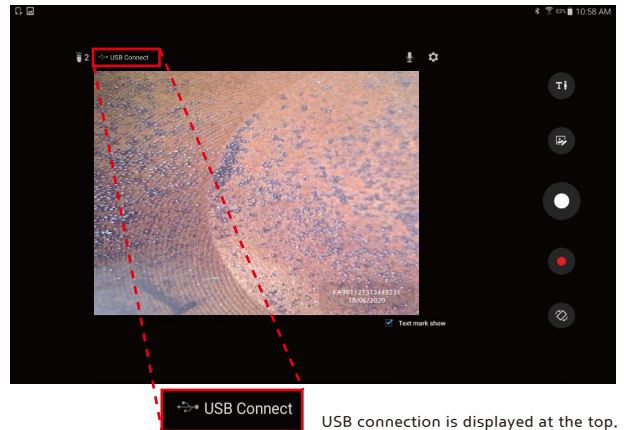
④ Operate Borescope function.



⑤ Automatic detection when USB is connected.

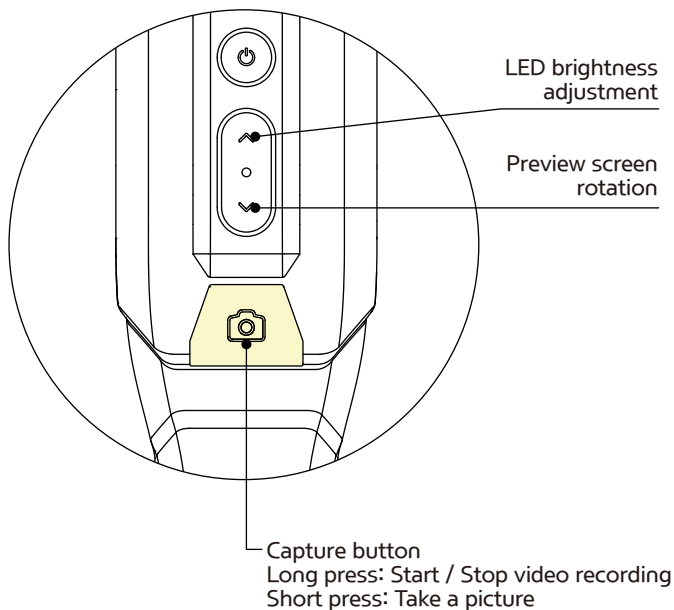


⑥ When USB is connected, it moves to the capturing screen.

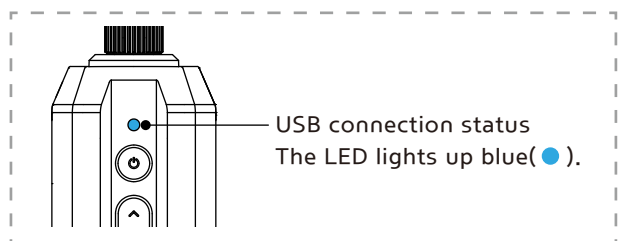
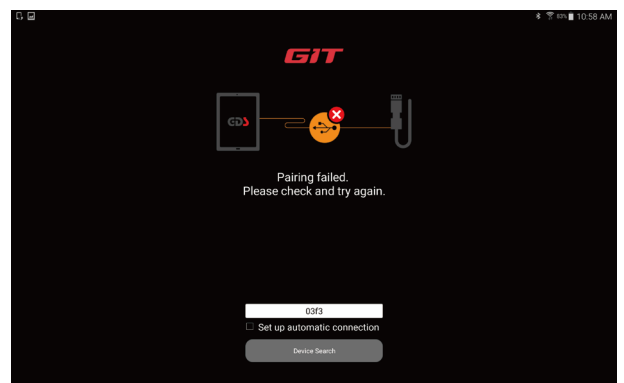


USB connection is displayed at the top.

⑦ Start capturing with the  button.

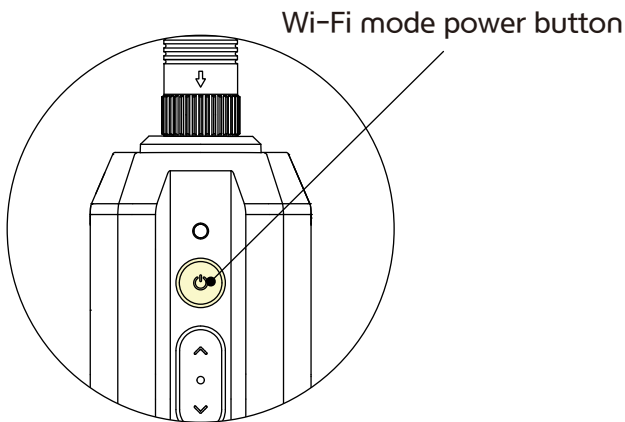




⑧ If the USB connection fails, reconnect the USB cable.

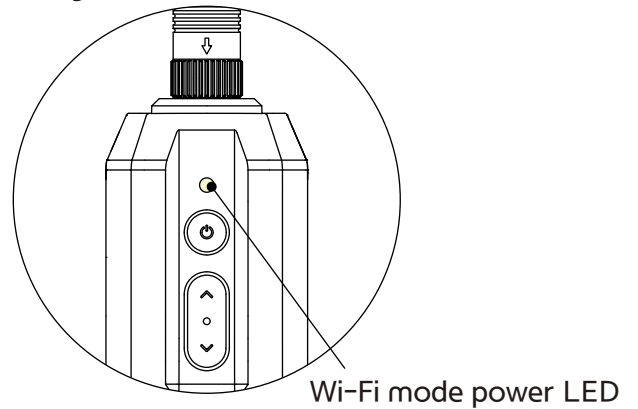


D2. Wi-Fi connection

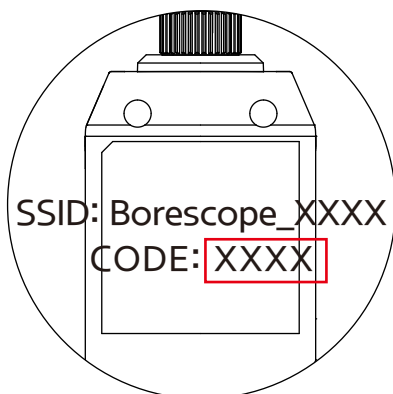
- ① Press the  button for 3 seconds.



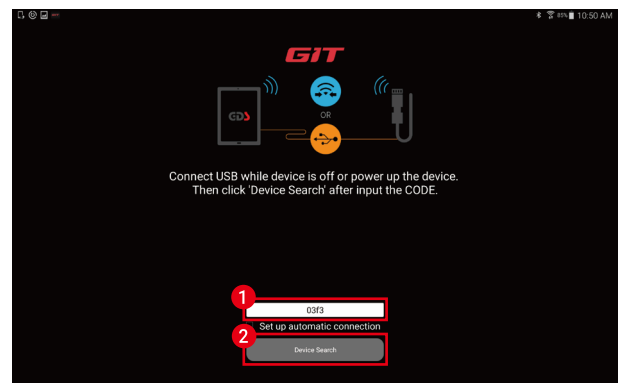
- ② Stand by until the boot is complete.
When booting is complete, the LED blinks blue and green( ).



- ③ Look for the four-digit code on the label on the bottom of the device.

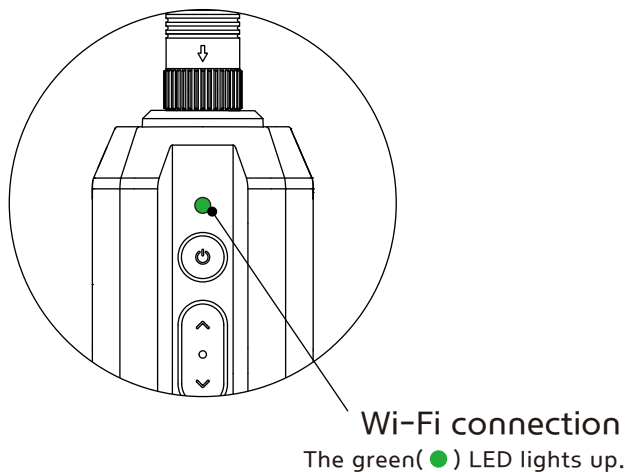


- ④ Run the app, enter the 4 digit code and press the device search button.

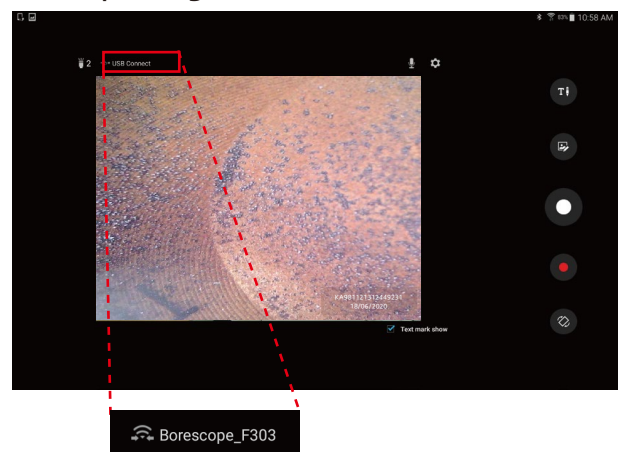


If you check Auto setup after remembering your password, the code is saved to simplify the connection process.

- ⑤

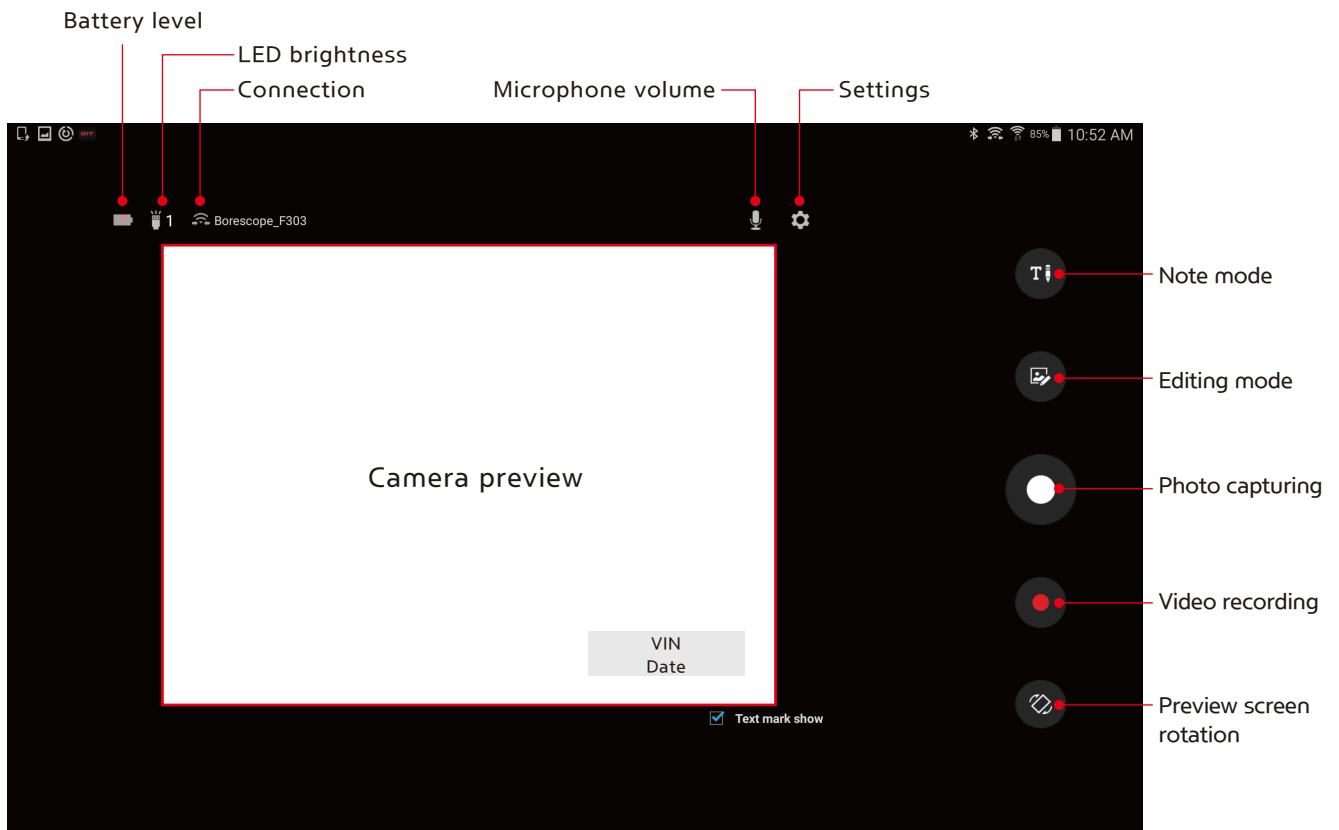


- ⑥ When the Wi-Fi is connected, it moves to the capturing screen.

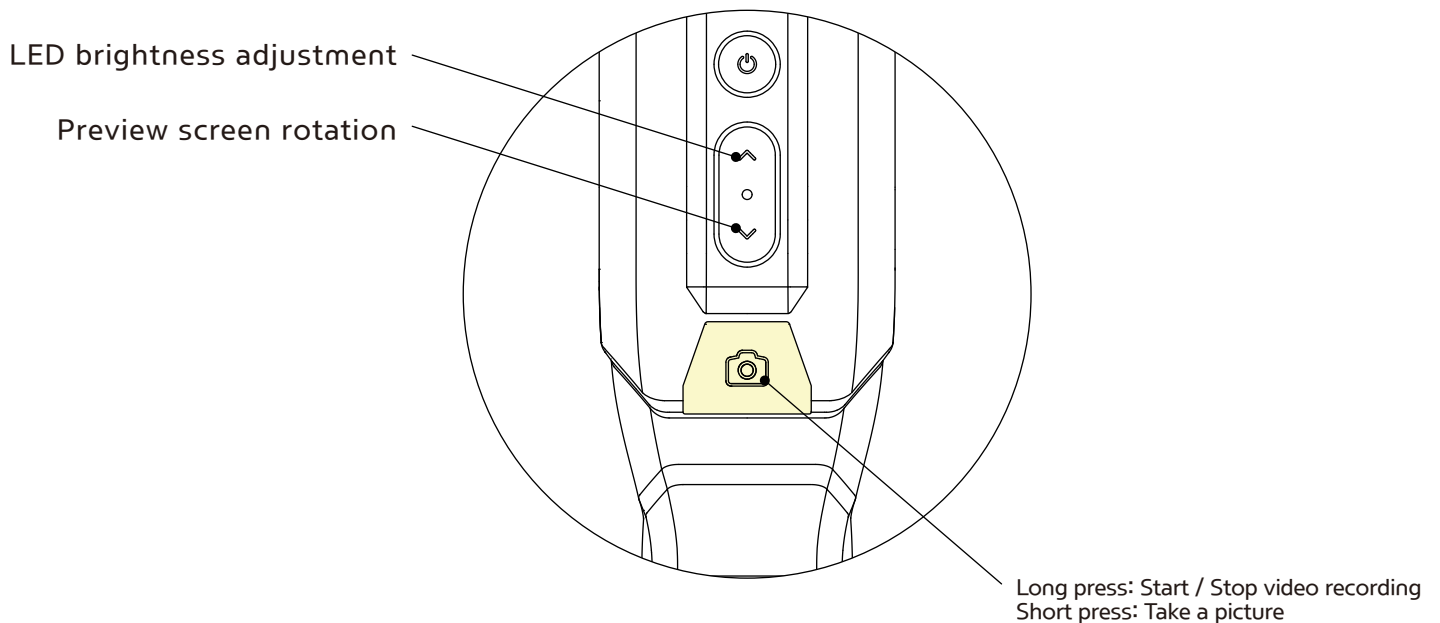


It shows that you are connected to Wi-Fi at the top. (Displays battery information and SSID of the device together.)

E1. Main screen



Key operation during capturing



E2. Taken image

Record the vehicle's VIN and date when taking photos and videos.

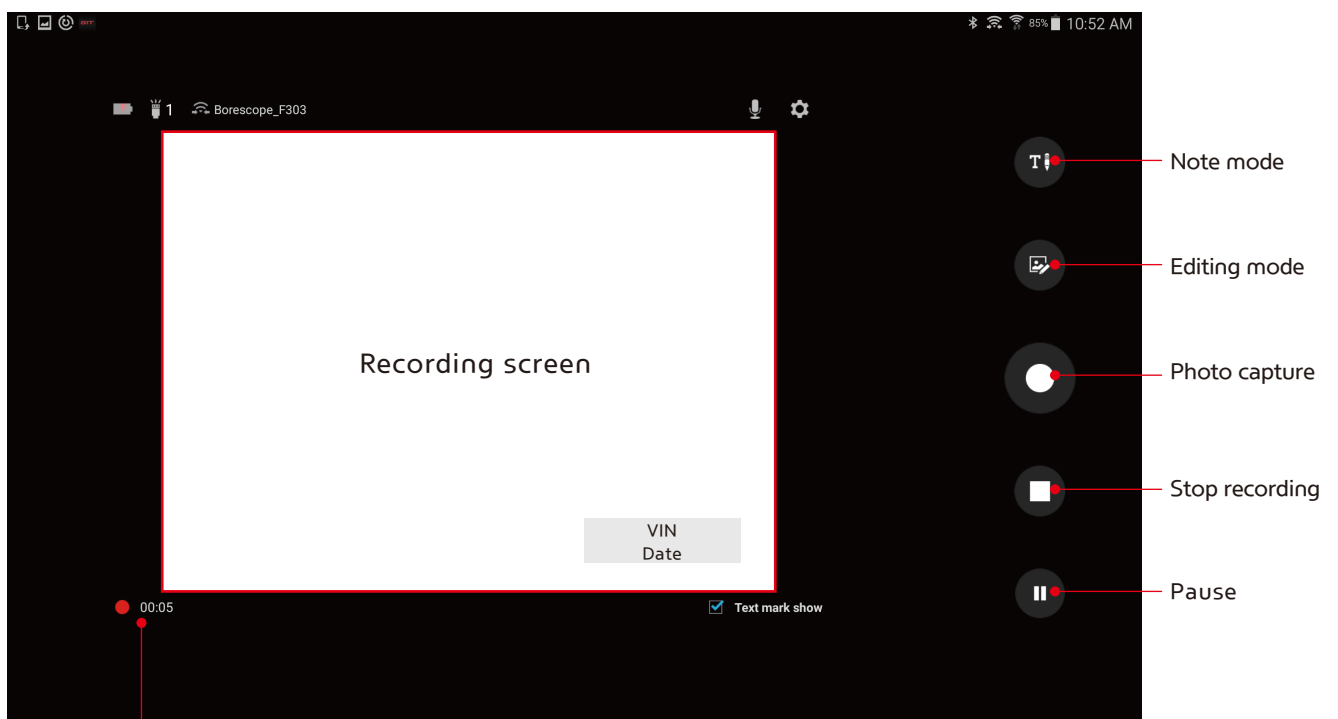


※ File storage location: Internal storage/mvci/GDSCAM/Record

Date

VIN

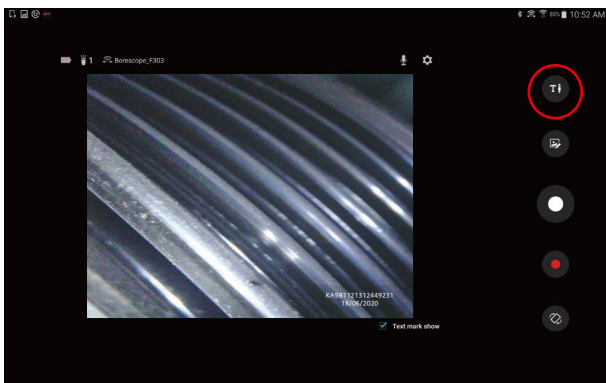
E3. Video recording screen



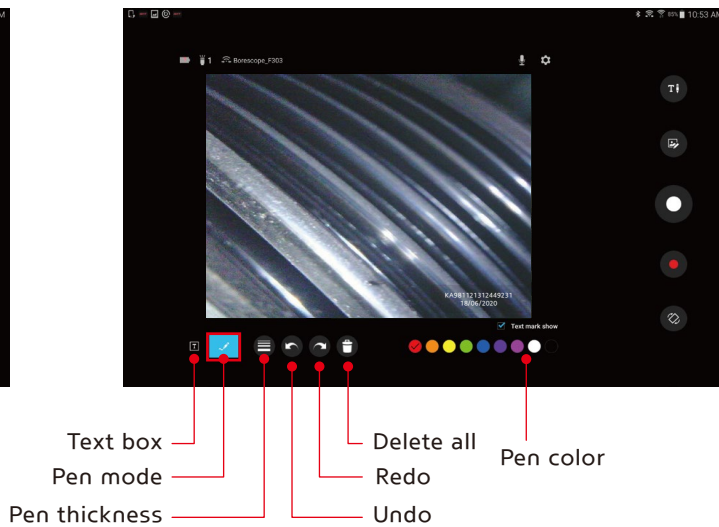
Recording Time

F1. Note Mode

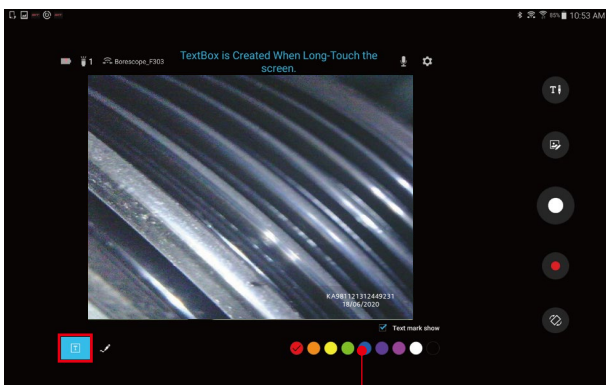
① Select **T** button on the capture screen.



② Once the **Mode** at the bottom is activated, you can draw on the photo.

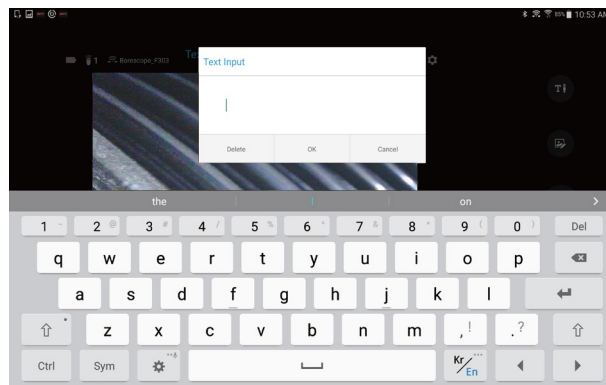


③ When **Tmode** is activated as below, you can display text on the photo.



Text color


④ Long press on the photo to enter text in the textbox.



You can delete and edit by selecting the text box above the photo.

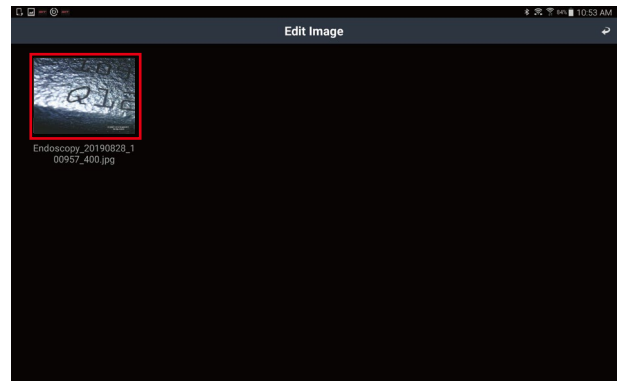
⑤ Press **T** button again to finish writing.
If you rotate the preview screen before saving, the text box contents disappear.

F2. Image editing

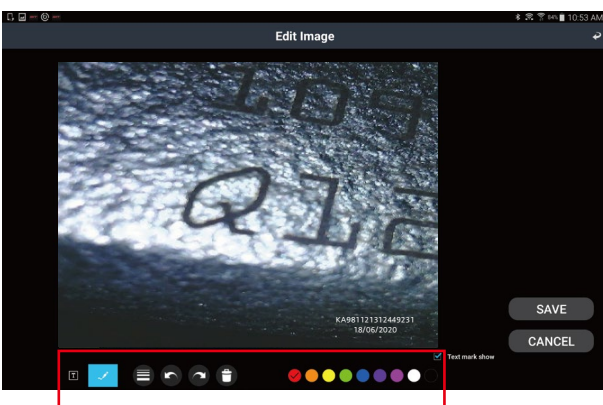
- ① To edit the photo, select  button on the screen.



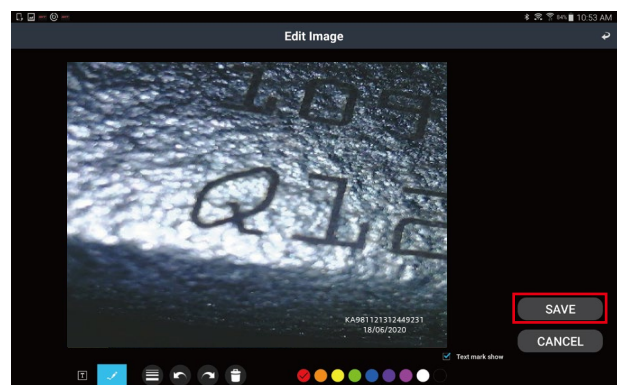
- ② The recorded picture is displayed. Select the picture you want to edit.




- ③ Edit the photo using the pen or text box.

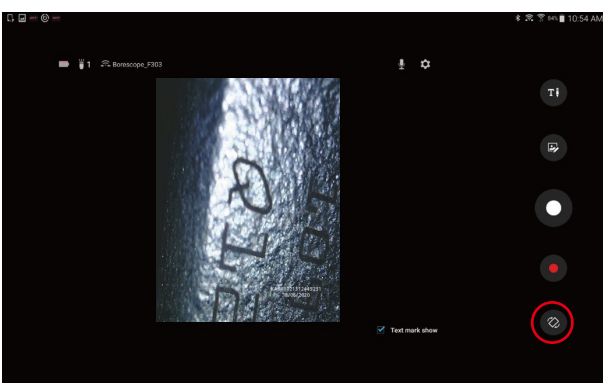


- ④ Press the 'SAVE' button to save. When saving, you can save it with a different name.



F3. Screen rotation

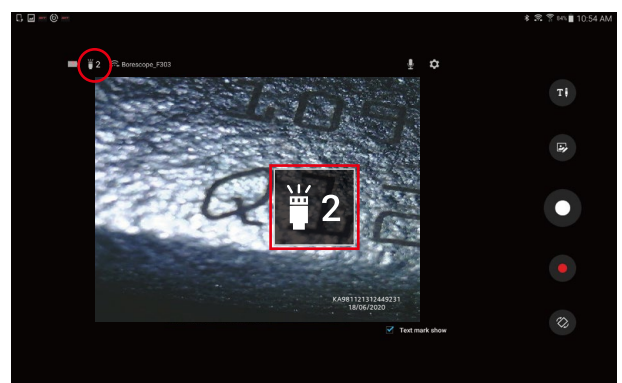
- ① Select  button to rotate the preview screen by 90 degrees.



It does not rotate during capturing.

F4. LED brightness adjustment

- ① Press the LED brightness button on the device to adjust the brightness.



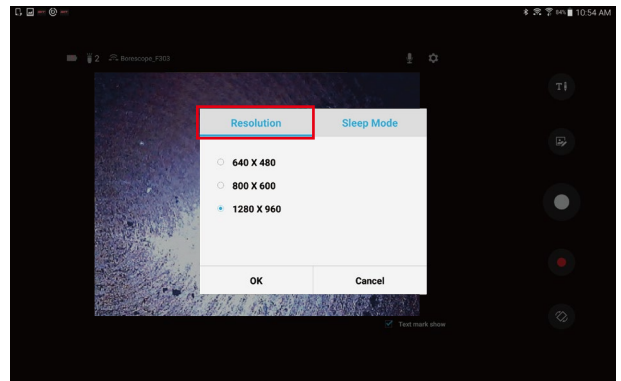
Brightness is 0 to 3 levels and is displayed on the screen. 0 is the LED is off.

G1. Resolution setting

① You can adjust the resolution by selecting the Settings button on the capture screen.

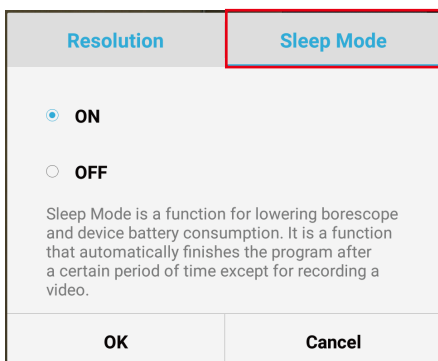


② This product supports three resolutions. (640X480,800X600,1280X960)

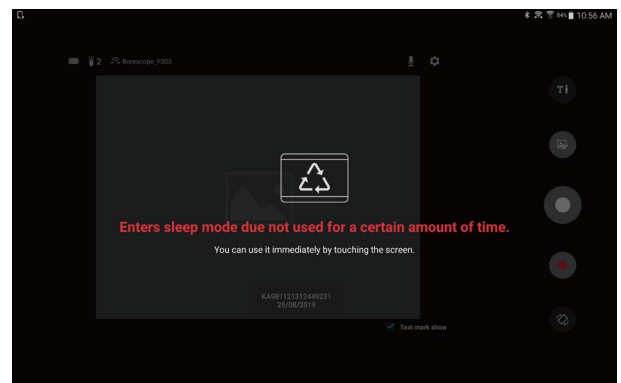


G2. Sleep mode setting

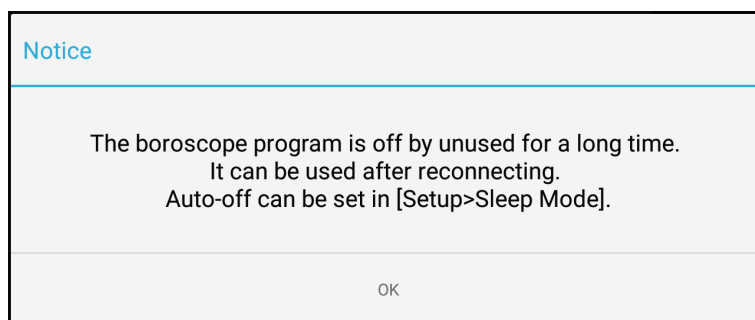
① You can turn sleep mode off or on by tapping the tab in the Settings pop-up.



② If there is no operation for a certain period of time, power save mode and sleep mode are activated.



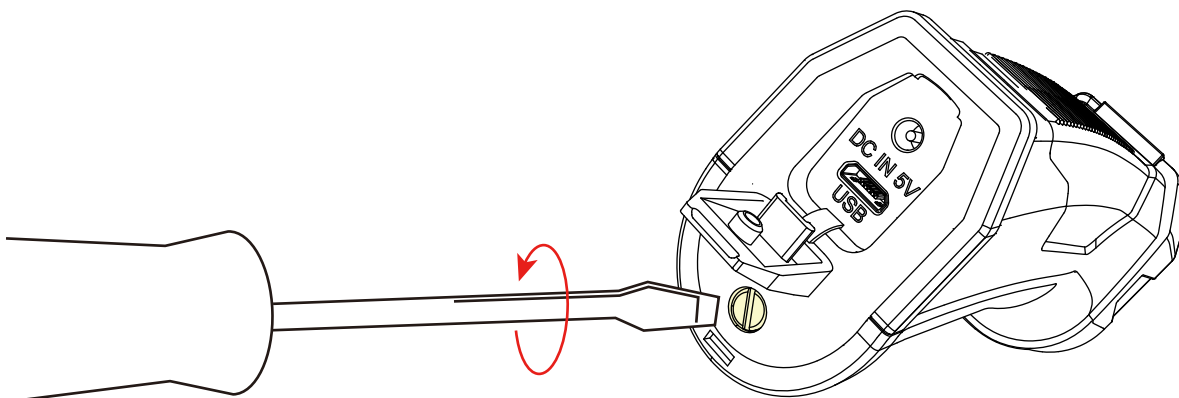
Power save mode:
The Sleep Mode activates after 10 minutes of inactivity.
You can use it immediately by touching the screen.



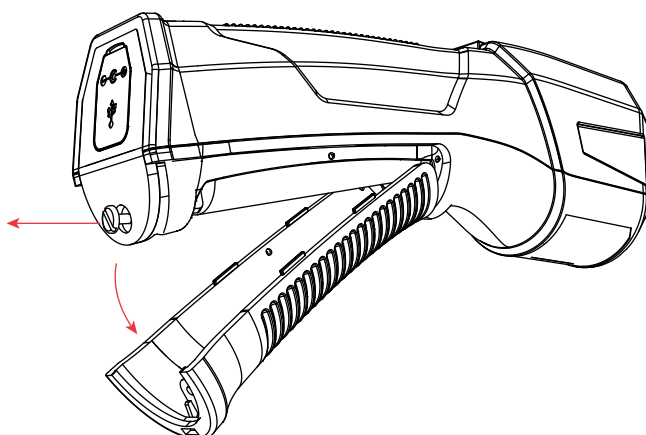
Sleep mode (optional):
The program will exit after 60 minutes of inactivity.
Re-use is required for reuse.

H. Internal battery replacement

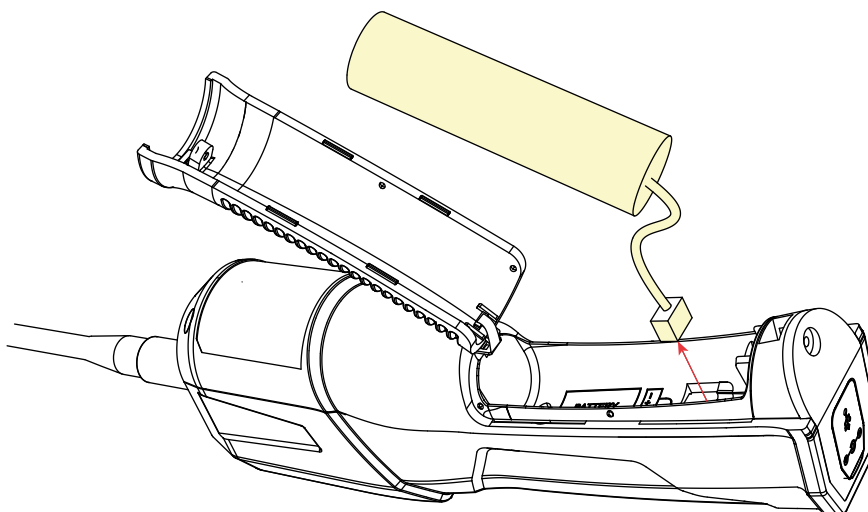
- ① Turn the rear screw counterclockwise with a screwdriver.



- ② Remove the screw and detach the battery cover on the handle part downward.



- ③ Remove the rechargeable battery and replace it with a new one.
Close the cover in the reverse order and secure it with the screw.



I. Product specification

Item	The details
Camera	2EA [Front(0°), Side(90°)]
Resolution	C-MOS [640X480,800X600,1280X960]
Lens	Angle of view: 67° / Iris: F2.8 None AF/Anti-fog coating
Focal length	9.5~300 mm
LED	White Chip LED 6EA
Outer diameter	Camera Head Ø8.2 Camera Joint Wire Ø8.0
Product length	1M
Magnetic holder	2 EA [Front(0°), Side(90°)]
3-part assembly	Camera / Flexible Tube / Body
Brightness adjustment	Implemented in Hardware (Step 3)
Camera connection method	Wi-Fi Direct (Wireless LAN IEEE 802.11 b/g/n) USB (UVC 1.1)
Battery capacity	2,600mAh
Use temperature	-20℃ ~ +70℃
Dustproof / Waterproof	IP64

J1. Certification



※ This wireless device is likely to be radio wave involved during operation.



This device complies with part 15 of FCC Rules. Operation is subject to the following two condition: (1)This Device may not cause harmful, and (2)This device must accept any interface received, including interface that may cause undesired operation.



J2. Product warranty

[Purchase information]

Product name	GBS-101
S/No.	
Purchase date	(1 year warranty)

[Customer information]

Company Name	
Name	
Phone number	
Address	

※Free service

After purchase, you are entitled to free service only if the product malfunctions within the warranty period (see below). If the date of purchase cannot be confirmed, the warranty period will be calculated from the headquarters release date +90 (product shelf life).

Warranty period for each item

Item	Type of damage	When you purchase the first product SET	When purchasing individual units	Reassurance after repair
Main body	Poor during normal use	1 year	1 year	3 months
Accessory		1 year	6 months	N/A
Expendables		None	6 months	N/A

※ Batteries are consumable parts, but for new devices battery warranty is 6 months.

Compensation criteria by type

Type		Within warranty period	After warranty
When you need a major repair within 10 days of purchase		Product Exchange	N/A
When you need important repair within one month after purchase		Warranty	N/A
Repairable	In case of malfunction during normal use	Warranty	Paid Repair
	When the same part is defective 3 times	Product Exchange	Paid Repair
	In case of malfunction due to intentional or negligence by the consumer	Paid Repair	Paid Repair
Not repairable	In case of malfunction during normal use	Product Exchange	Our Regulation Processing
	In case of malfunction due to intentional or negligence by the consumer	Our Regulation Processing	Our Regulation Processing
Damage caused by not having repair parts within the parts retention period		Product Exchange	Our Regulation Processing

GBS-101 item classification

Item	Subject
Main body	GBS-101 Main Module (Main body)
Accessories	0/90 degree camera, Flexible tube, 0/90 degree magnetic holder, USB cable, DC cable, Charger and plug
Expendables	Battery, User manual, Cleaning fabric, Carrying case

GIT

www.gitauto.com